



- Home
- About Us
- Products
- Support
- News
- Sample Request
- Sitemap



[back](#)

[Print](#)

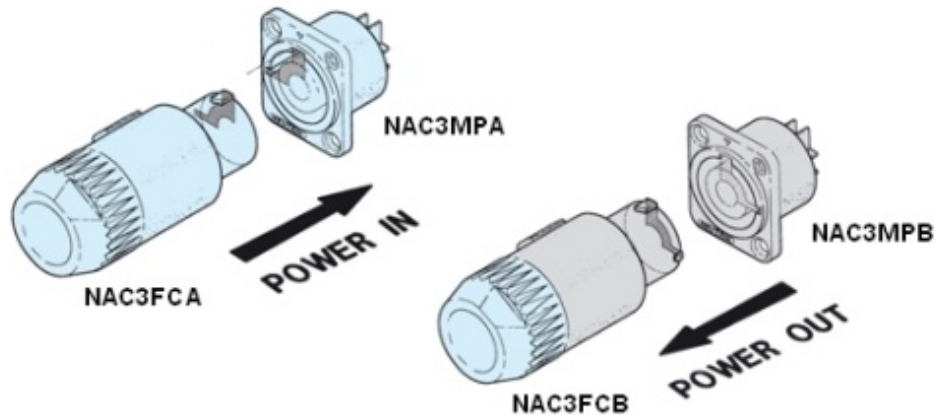
## NAC3FCB



Cable connector, quick lock with securing lever, B-type for power-out, screw terminals

The PowerCon® is a locking 3 conductor equipment AC connector with contacts for line, neutral and pre-mating ground contact. It replaces appliance couplers wherever a very rugged solution in combination with a locking device is needed in order to guarantee a save power connection.

**Attention:** The PowerCon® is a connector without breaking capacity, i.e. the PowerCon® should not be connected or disconnected under load or live!



[Search](#)

[Products only](#)

© Neutrik® AG  
All rights reserved  
Legal Notices

## Features & Benefits

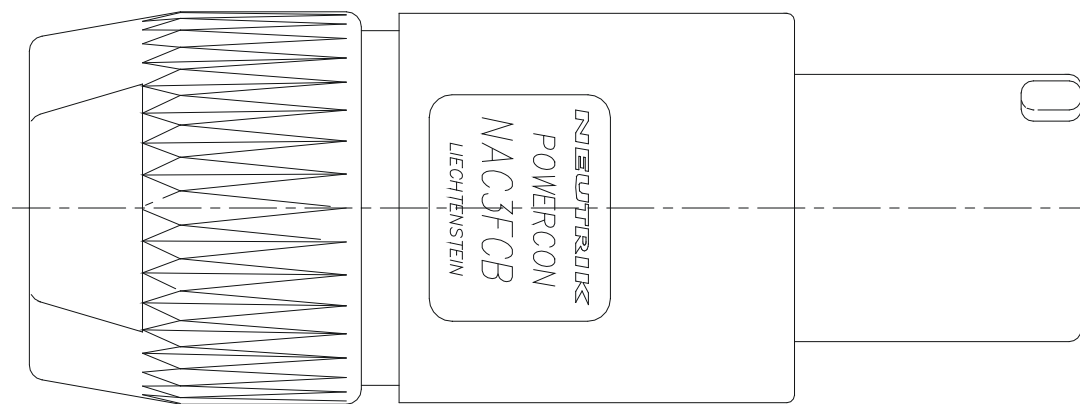
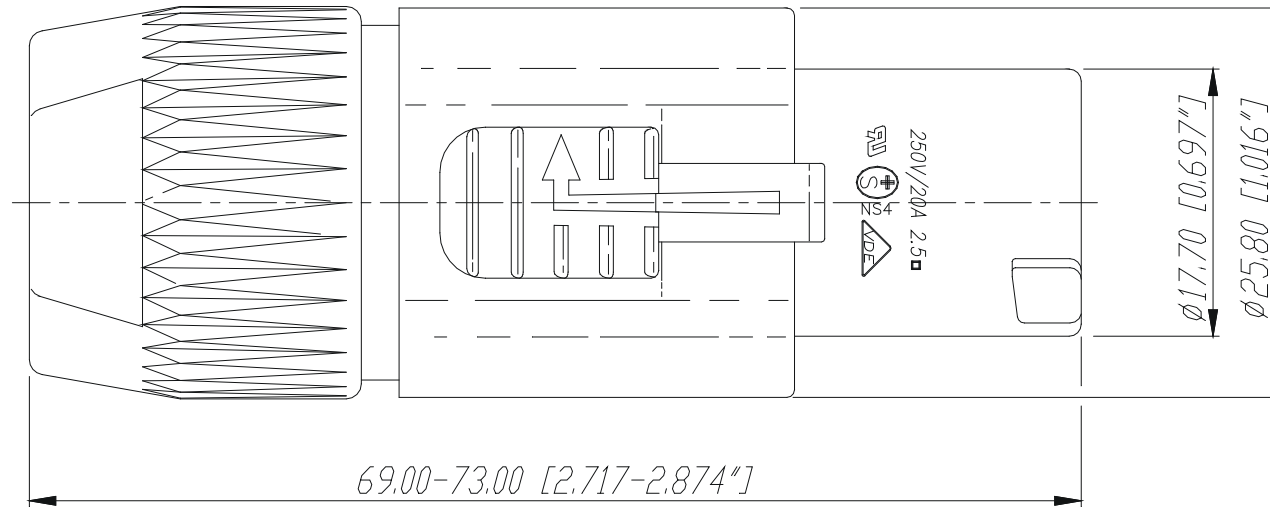
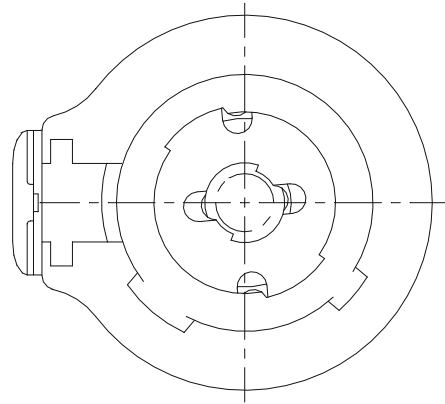
- Locking 20 A / 250 V ac appliance coupler
- 3 contacts for line, neutral and pre-mating safety ground
- power-in (blue) and power-out (grey) versions with different keying to avoid the possibility of intermating
- Fast and easy twist lock latching system
- Extremely robust and reliable
- Ergonomic design
- User friendly latch design for easy handling
- Unique Neutrik chuck type strain relief
- UL, cUL recognized components  
VDE certified  
SEV approved
- Branded with unique hologram - guarantees genuine and authentic Neutrik product

## ACCESSORIES

BSL-WR



# NAC 3 FCB



Ind.	Aenderung	Datum	Name	Werkstoff:	Massstab:	Datum	Name
				*)Lieferant darf ohne Ruecksprache nicht geaendert werden Zeichnung urheberrechtlich geschuetzt (DIN 34) (C)	2:1	Gezeichnet	01.09.98 Alinjak
			Gepueft				
			Gesehen				
				Benennung: Powercon NAC3FCB		Ersetzt durch:	Blatt
						Ersatz fuer:	von Blatt
				<b>NEUTRIK AG</b> FL-9494 SCHAAN		Zeichn. Nr. 3102 St 20 02	



## PowerCon® 20 Amp

### NAC3FCB

There are no technical infos for this product.

Product	
Connector Type	PowerCon
Gender	female
Electrical	
Contact resistance	≤ 3 mΩ
Dielectric strength	4 kVdc
Insulation resistance	> 0.1 GΩ (after damp heat test IEC 68-2-30)
Rated current per contact	20 A
Rated voltage	250 V
Mechanical	
Cable O.D.	5 - 15 mm
Lifetime	> 1000 mating cycles
Wire size	2,5 mm <sup>2</sup>
Wire size	14 AWG
Wiring	screw type terminals or soldering
Locking device	Quick Lock
Material	
Bushing	Polyamide (PA 6 15% GR)
Contact plating	20 μm Ag plated
Contacts	Bronze (CuSn6)
Insert	Polyamide (PA 6 30 % GR)
Locking element	Zinc diecast (ZnAl4Cu1)
Shell	Polyamide (PA 6 30 % GR)
Strain relief	Polyacetal (POM)
Environmental	
Approvals	UL,VDE,Electroswiss
Flammability	UL 94 HB
Protection class	IP 20 (mated)
Safety requirements	EN/IEC 61984
Solderability	Complies with IEC 68-2-20
Temperature range	-30 °C to +80 °C

## Optical

### Mobile Cables

Coding

A-type for power outlet (color coding grey)